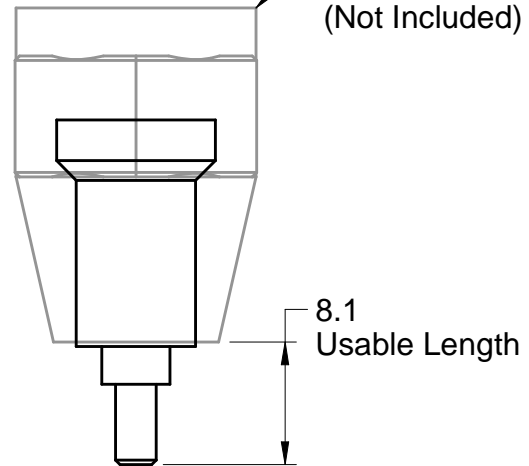
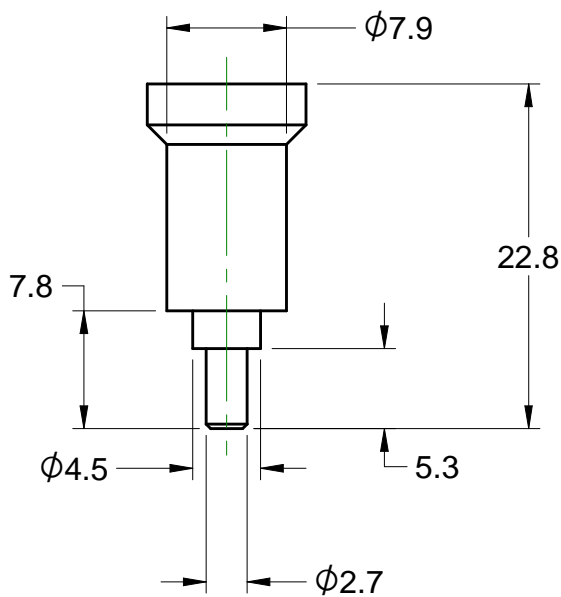


Heat Tip in Retaining Nut

Retaining Nut
SPIROL Item# 66729
(Not Included)



Notes:

1. All dimensions are in millimeters.
2. Drawing not to scale.
3. Copying or incorporating this information / drawing into any other document or system must reference SPIROL as the owner.
4. All dimensions are reference only.

Part #

AP-62181-00003

Material

Copper Alloy

Finish

Plain

Title

Heat Tip for Heat Insert Driver

SPIROL.com

info@SPIROL.com

Description

HEAT TIP 6-32 M3.5

CONFIDENTIAL

This drawing is the property of SPIROL, and may not be used for any purpose without the express permission of SPIROL.